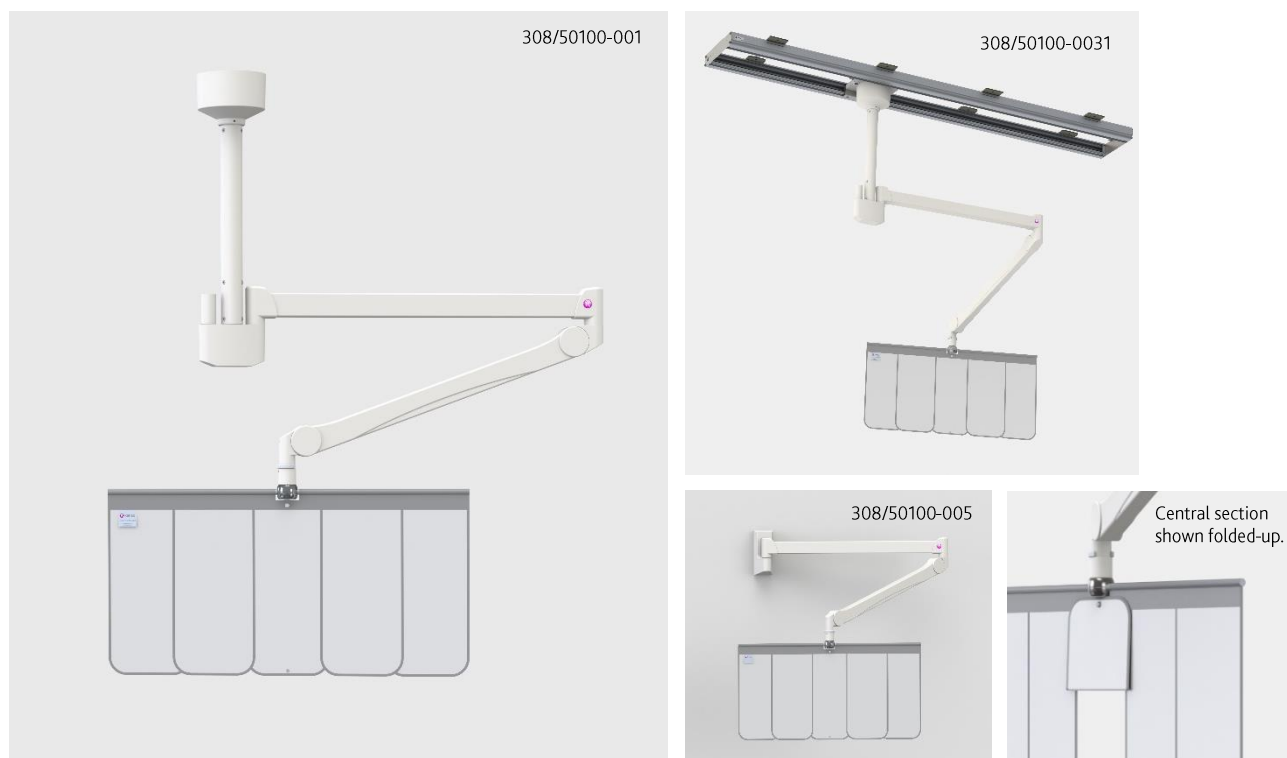


Overhead flexible lead shield

308

Effective upper body protection

This 50 cm x 100 cm shield uses 0.5 mm equivalent, overlapping flexible lead vinyl panels for effective protection to the upper body. The central section can be folded up and retained by a press stud when needed.



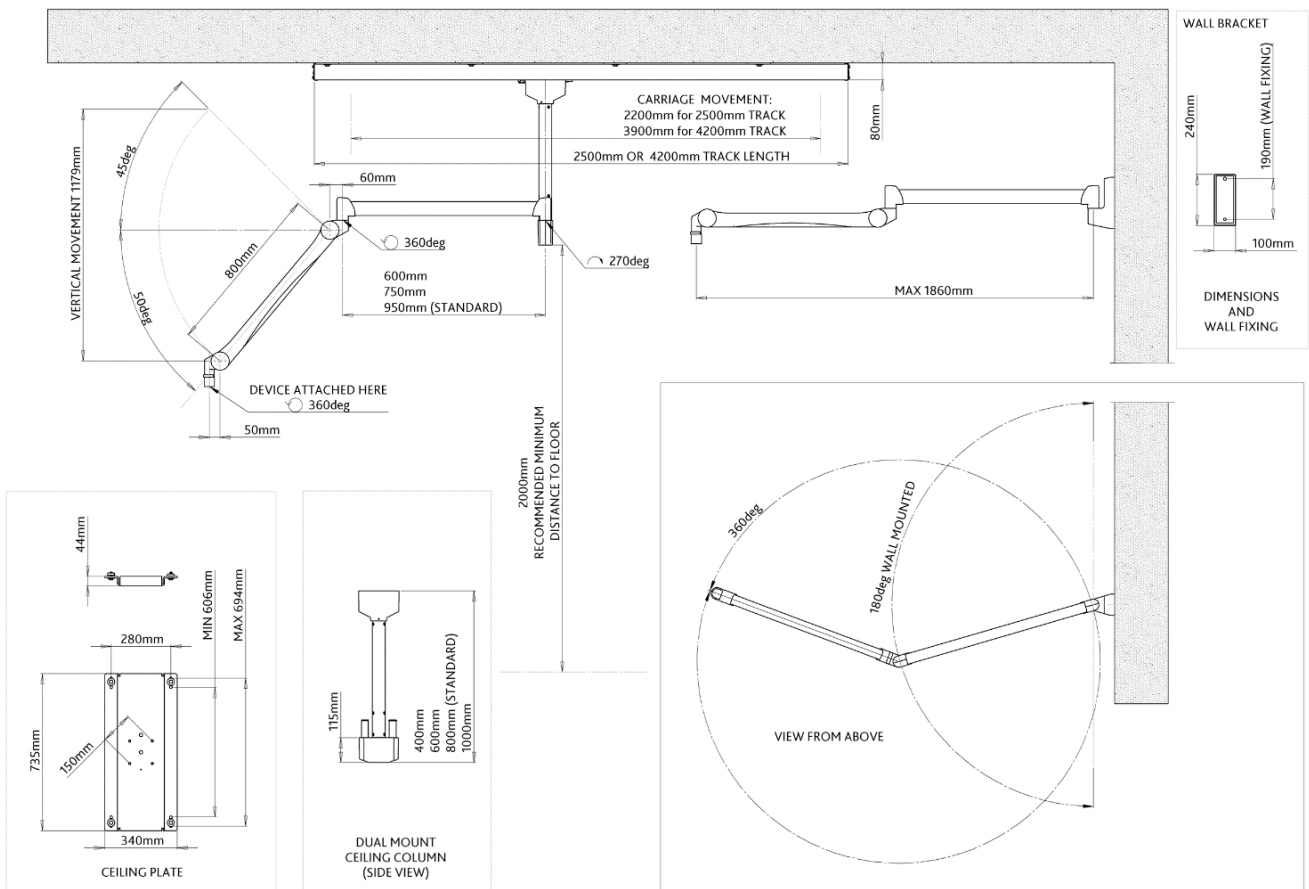
Key features

- > 50 cm high x 100 cm wide.
- > Flexible, overlapping 0.5 mm Pb equivalent lead vinyl panels.
- > Fold up central section is retained by a press stud.
- > Connects to a two-part suspension arm, supported by a ceiling column. Standard ceiling column length is 80 cm (see over – other lengths are available).
- > Optional installation aid #300/P/004 can be used to attach a column to Unistrut rails (or equivalent) in a suspended ceiling (see over).
- > Other sizes available on request.

Installation options

- > **Stationary system:** 308/50100-001
308 shield, two-part suspension arm and 80 cm ceiling column.
- > **Ceiling track system, moveable:** 308/50100-0031
308 shield, two-part suspension arm, 80 cm ceiling column and heavy duty 250 cm aluminium track and moveable carriage.
- > **Wall mounted system:** 308/50100-005
308 shield, two-part suspension arm and wall mounting bracket

Technical specification



Equipment weights & part numbers

50 x 100 cm type 308 shield assembly: **6 kg**

80 cm dual mount ceiling column: **11 kg**

Suspension arm: **9 kg**

80 cm dual mount ceiling column: **12.8 kg**

2.5 m ceiling track & carriage: **50 kg**

Wall bracket: **2 kg**

Optional equipment:

Dual mount ceiling column:

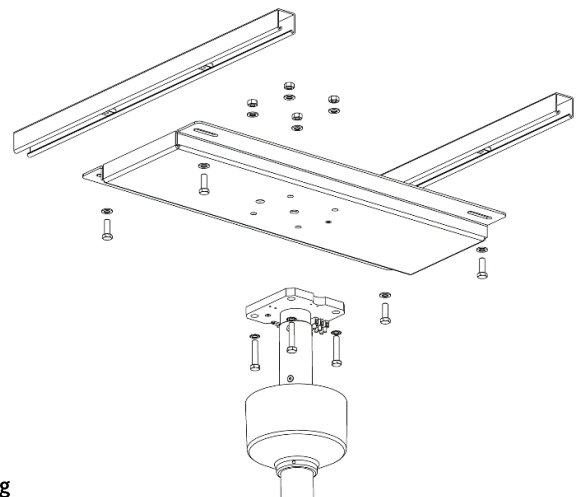
- 40 cm (#300/COLUMN/40): **10.2 kg**
- 60 cm (#300/COLUMN/60): **11.5 kg**
- 100 cm (#300/COLUMN/100): **14.1 kg**

Ceiling track & carriage:

- 4.2 m (#3001/TC/420): **72 kg**
- For use in 2.5 m or 4.2 m track (#3001/3.25): **4.6 kg**

Installation aids:

- Ceiling mounting plate (#300/P/004) **15 kg**
- Ceiling anchorage mount ((#300/P/012) **38 kg**
- Ceiling void installation ((#300/P/014) **14.8 kg**



Ceiling plate #300/P/004
(shown with ceiling rails and ceiling column)